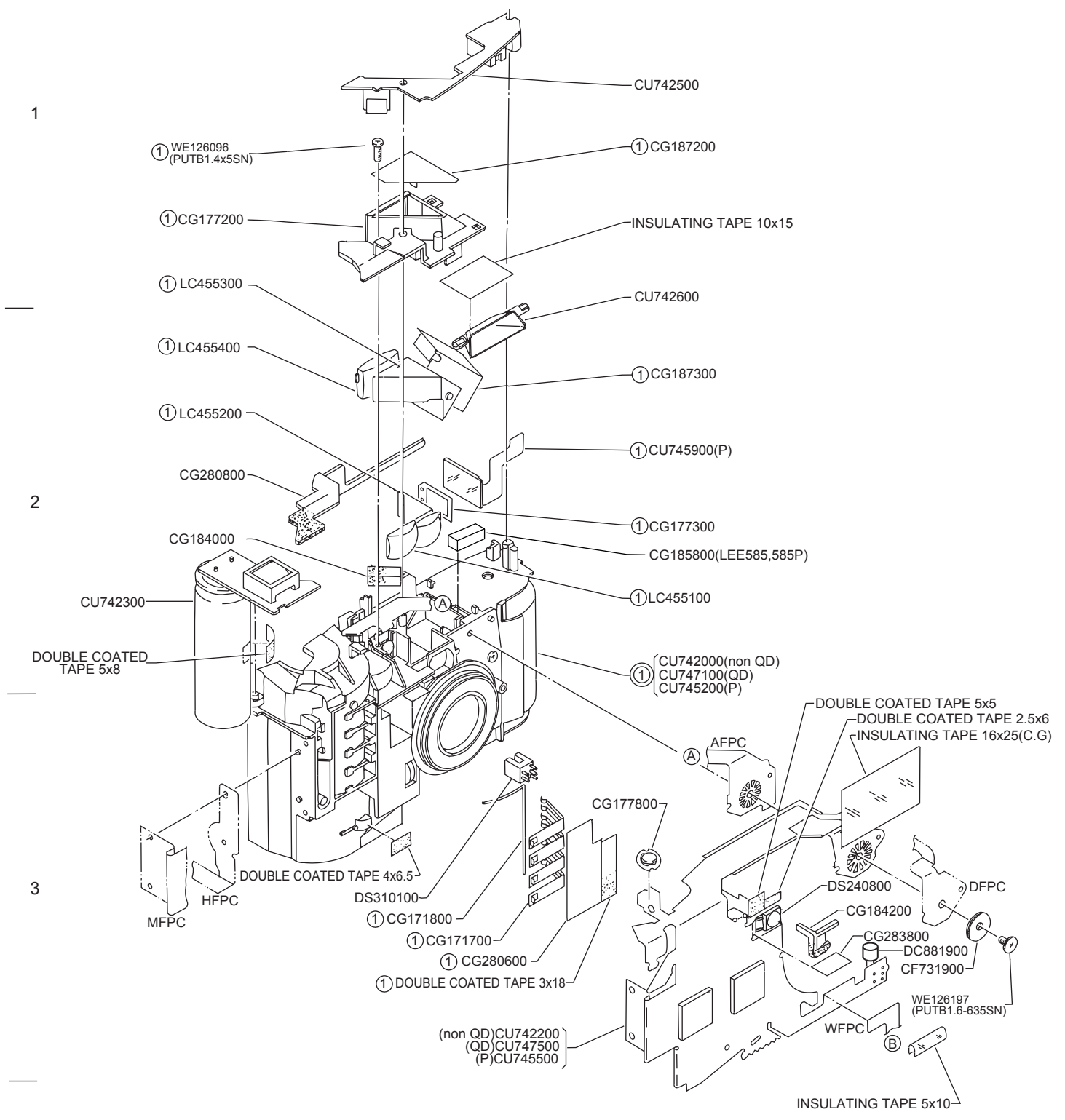


EXPLODED PARTS DIAGRAM

MODEL	HOUSE CODE or UNIT	FIG.
OLYMPUS μ [mju:]II/LIMITED OLYMPUS ∞ Stylus Epic/LIMITED OLYMPUS μ [mju:]II DELUXE	LEE-584.586.587	1/5
OLYMPUS OPTICAL CO.,LTD.TOKYO,JAPAN		

Ver.1
Rev.17
2002-01



1

2

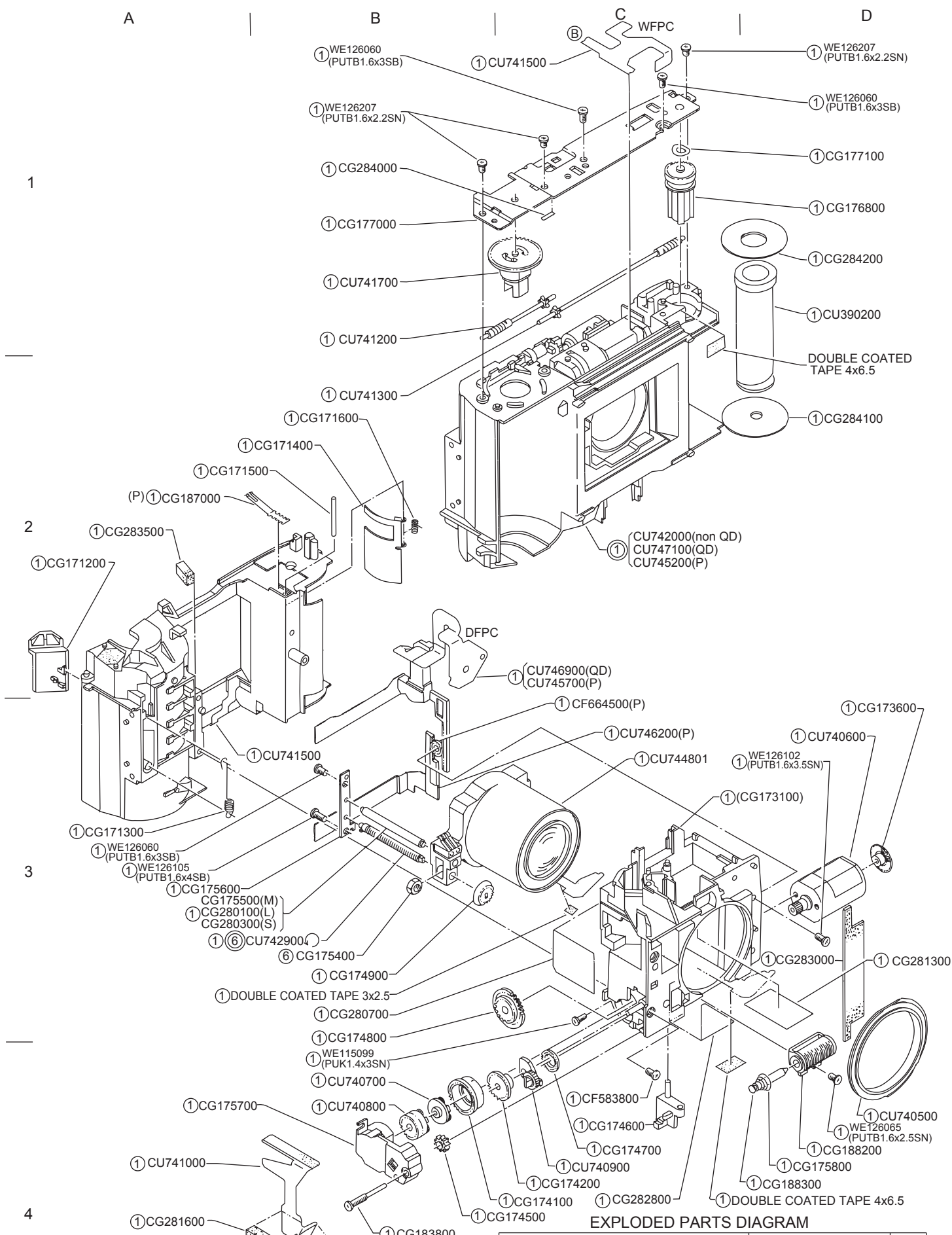
3

4

EXPLODED PARTS DIAGRAM

MODEL	HOUSE CODE or UNIT	FIG.
OLYMPUS μ [mju:]-II/LIMITED OLYMPUS ∞ Stylus Epic/LIMITED OLYMPUS μ [mju:]-IIDE LUXE	LEE-584.586.587	2/5
OLYMPUS OPTICAL CO.,LTD.TOKYO,JAPAN		

Ver 1
Rev.17
2002-01
SEVER_DIS



EXPLODED PARTS DIAGRAM

MODEL	HOUSE CODE or UNIT	FIG.
OLYMPUS μ [mju:]II/LIMITED OLYMPUS ∞ Stylus Epic/LIMITED OLYMPUS μ [mju:]II/DELUXE	LEE-584.586.587	3/5
OLYMPUS OPTICAL CO.,LTD.TOKYO,JAPAN		

TABLE A : REFERENCE GUIDE

For JAPAN

HOUSE CODE		LEE-584QPbkJ	LEE-584QPcgJ		LEE-587PJ
PRODUCT NAME		μ-II	μ-II		μ-II Limited
IDENTIFICATION					
	QD	Yes	Yes		Yes
	Panorama	Yes	Yes		Yes
	Exterior	Black	Champagne Gold		Black Metallic
A-1	Front Cover	CU746100	CU748200		CU847300
A-2	Barrier	CG178600	CG288200		CU848600
A-3	Rear Cover	CU747700	CU748800		CU847500
A-4	Back Cover	CU746500	CU748400		CU847400

For EUROPE

HOUSE CODE		LEE-584bkE	LEE-584cgE	LEE-584QcgE	LEE-586E
PRODUCT NAME		μ-II	μ-II	μ-II	μ-II Limited
IDENTIFICATION					
	QD	No	No	Yes	No
	Panorama	No	No	No	No
	Exterior	Black	Champagne Gold	Champagne Gold	Black Metallic
A-1	Front Cover	CU746100	CU748200	CU748200	CU847300
A-2	Barrier	CG178600	CG288200	CG288200	CU848600
A-3	Rear Cover	CU744400/*CU743600	CU749400	CU749400	CU848300
A-4	Back Cover	CU743400	CU845200	CU748400	CU848200

*Made in Japan

For MOST OTHER FOREIGN REGIONS

HOUSE CODE		LEE-584bkl	LEE-584Qbkl	LEE-584cgl	LEE-584Qcgl	LEE-587I
PRODUCT NAME		μ-II	μ-II	μ-II	μ-II	μ-II Limited
IDENTIFICATION						
	QD	No	Yes	No	Yes	Yes
	Panorama	No	No	No	No	No
	Exterior	Black	Black	Champagne Gold	Champagne Gold	Black Metallic
A-1	Front Cover	CU746100	CU746100	CU748200	CU748200	CU847300
A-2	Barrier	CG178600	CG178600	CG288200	CG288200	CU848600
A-3	Rear Cover	CU744400	CU744400	CU749400	CU749400	CU848300
A-4	Back Cover	CU743400	CU746500	CU845200	CU748400	CU847400

For NORTH, CENTRAL, SOUTH AMERICA

HOUSE CODE		LEE-584bkN	LEE584QcgN	LEE584QPcgN	LEE587PN
PRODUCT NAME		∞ Stylus Epic	∞ Stylus Epic	∞ Stylus Epic DLX	∞ Stylus Epic Limited
IDENTIFICATION					
	QD	No	Yes	Yes	Yes
	Panorama	No	No	Yes	Yes
	Exterior	Black	Champagne Gold	Champagne Gold	Black Metallic
A-1	Front Cover	CU743800	CU845400	CU749700	CU847800
A-2	Barrier	CG178700	CG289700	CG288300	CU848700
A-3	Rear Cover	CU744400	CU749400	CU748800	CU847500
A-4	Back Cover	CU743400	CU748400	CU748400	CU847400

EXPLODED PARTS DIAGRAM

MODEL	HOUSE CODE or UNIT	FIG.
OLYMPUS μ [mju]-II / LIMITED OLYMPUS ∞ Stylus Epic / LIMITED OLYMPUS μ [mju]-II DELUXE	LEE-584, 586, 587	4/5
OLYMPUS OPTICAL CO., LTD. TOKYO, JAPAN		

TABLE A : REFERENCE GUIDE

For Korea, Taiwan, China Parts with () : One time delivery

DESTINATION	Korea	Taiwan	China		
HOUSE CODE	LEE-584QcgK2	LEE-584Qcgl2	LEE-584bkC	LEE-584QcgC	
PRODUCT NAME	μ-II DELUXE	μ-II DELUXE	μ-II	μ-II	
IDENTIFICATION					
QD	Yes	Yes	No	Yes	
Panorama	No	No	No	No	
Exterior	Champagne Gold	Champagne Gold	Black	Champagne Gold	
A-1	Front Cover	CV515700	(CV676600)	CU746100	CU748200
A-2	Barrier	CG701000	(CG752600)	CG178600	CG288200
A-3	Rear Cover	CU749400	(CV676700)	CU744400	CU749400
A-4	Back Cover	CU748400	CU748400	CU743400	CU748400

EXPLODED PARTS DIAGRAM

MODEL	HOUSE CODE or UNIT	FIG.
OLYMPUS μ [mju]-II / LIMITED OLYMPUS ∞ Stylus Epic / LIMITED OLYMPUS μ [mju]-II DELUXE	LEE-584, 586, 587	5/5
OLYMPUS OPTICAL CO., LTD. TOKYO, JAPAN		

μ [mju:]2 Limited / DELUXE
INFINITY Stylus Epic / Limited

PARTS LIST Rev.18

LEE-584, 586, 587

PARTS NO.	NAME OF PARTS	NOTE	PARTS NO.	NAME OF PARTS	NOTE
CE942400	SHAFT RING	1-A2,C2,C4	CG181400	PRESSURE PLATE	1-D1
CF583800	F SCREW	3-C4	CG181500	P SPRING	1-D1
CF664500	LD PLANET	3-C3 P	CG181800	P MOLT	1-B1
CF731900	32 CONNECT NW	2-D3	CG182200	LCD RUBBER	1-C1
CF933500	MH SEAL	1-B3	CG182400	P NUT	1-C2
CF957100	SHAFT	1-A3	CG182800	LATCH PLATE	1-B2
			CG182900	LATCH SPRING	1-B2
			CG183000	GUIDE SHEET	1-C2
			CG183100	B SEAL	1-A4
CG171200	P HOLDER	3-A2	CG183200	FPC SHEET	1-B2
CG171300	P SPRING	3-A3	CG183300	CONNECT PLATE	1-A4
CG171400	GUIDE PLATE B	3-B2	CG183400	CONNECT RUBBER	1-A4
CG171500	GUIDE SHAFT B	3-A2	CG183500	W PROOF RUBBER	1-D3
CG171600	GUIDE SPRING B	3-B2	CG183700	GUIDE PLATE B2	1-C2
CG171700	DX CONTACT	2-B2	CG183800	LD SCREW	3-B4
CG171800	DX GND	2-B3	CG184000	PSD SPONGE	2-A2
CG171900	P SEAL	1-A3	CG184200	AE SPONGE	2-D3
			CG184500	No SEAL 584J	1-B3
CG173600	PI SLIT	3-D3	CG184600	No SEAL 584H	1-B3
CG174100	INNER GEAR	3-C4	CG185700	D SHEEL	1-D1
CG174200	W SUN GEAR	3-C4	CG185800	D LIGHT PROOF	1-C2
CG174500	RW IDLE	3-C4	CG186400	P LEVER 1	1-A2
CG174600	CLUTCH LEVER	3-D4	CG186500	PD SPRING	1-A2
CG174700	LD IDLE	3-D4	CG186600	P LEVER 2	1-A2
CG174800	LD BEVEL 1	3-C3	CG187000	PN SW	3-A2
CG174900	LD BEVEL 2	3-B3	CG187200	P LIGHT PROOF 1	2-C1
CG175400	LD NUT	3-B3	CG187300	P LIGHT PROOF 2	2-C2
CG175500	HANG SHAFT	3-A3 D:1.98	CG188200	584 PLUNGER	3-D4
CG175600	S HOLDER	3-A3	CG188300	584 P SHAFT	3-D4
CG175700	LD PLATE	3-A4	CG188600	584 B PDB	1-D1
CG175800	C SPRING	3-D4	CG189100	584 H FPC	1-B2
CG176200	F RING J	1-A4	CG189700	585 LCD	1-C1
CG176800	W WHEEL	3-D1	CG189800	584 LCD	1-C1
CG177000	W PLATE	3-B1			
CG177100	FRICTION W	3-D1	CG280100	HANG SHAFT 2	3-A3 D:1.99
CG177200	F COVER	2-A1	CG280300	HANG SHAFT 24	3-A3 D:1.97
CG177300	F MASK	2-C2	CG280600	DX SHEET	2-B3
CG177800	RELEASE SW	2-C3	CG280700	F LIGHT PROOF	3-B3
CG178600	BARRIER J	1-D3	CG280800	R LIGHT PROOF	2-A2
CG178700	BARRIER N	1-D3	CG281300	M SHAFT	3-D3
CG179400	BR SPRING	1-C4	CG281600	LD HOLDER	3-A4
CG179500	BR SHAFT	1-C4	CG282700	C SEAL	1-D1
CG179600	BARRIER SW	1-B3	CG282800	FB LIGHT PROOF	3-C4
CG179700	B CONTACT P	1-A4	CG283000	MB SPONGE	3-D3
CG179800	B CONTACT M	1-A4	CG283400	B LIGHT PROOF	1-A4
			CG283500	J LIGHT PROOF	3-A2
CG180800	LATCH LEVER	1-C3	CG283800	FT LIGHT PROOF	2-D3
CG180900	LATCH SHAFT	1-C2	CG284100	T FLANGE	3-D2
CG181000	BK SW 1	1-C2	CG284200	B FLANGE	3-D1
CG181100	BK SW 2	1-C3	CG285100	B SCREW	1-B3 CCW

- : PARTS STILL AVAILABLE, = : PARTS NO LONGER AVAILABLE,

* : COCOM PARTS, † : NEW PARTS

(2003.02)

μ [mju:]2 Limited / DELUXE
INFINITY Stylus Epic / Limited

PARTS LIST Rev.18

LEE-584, 586, 587

PARTS NO.	NAME OF PARTS	NOTE	PARTS NO.	NAME OF PARTS	NOTE
CG288200	BARRIER CGJ	1-D3	CU748400	D REAR COVER CG	1-C1
CG288300	BARRIER CGN	1-D3	CU748800	P REAR FRAME CGH	1-A1
CG289500	P LEVER CG	1-A2	CU749400	REAR FRAME CGH	1-C1
CG289700	BARRIER CGN2	1-D3	CU749700	FRONT COVER CGN	1-D3
CG421000	86 F RING J	1-A4	CU845200	REAR COVER CG2	1-C1
♦ CG701000	BARRIER CGK	1-D3	CU845400	FRONT COVER CGN2	1-D3
♦ CG752600	BARRIER CGI2	1-D3	CU847300	86 FRONT COVER	1-D3
CU390200	SPOOL 2	3-D1	CU847400	86D REAR COVER	1-C1
CU740500	K RUBBER 1	3-D4	CU847500	86P REAR FRAME	1-A2
CU740600	MOTOR	3-D3	CU847600	86 BATTERY COVER	1-A1
CU740700	CARRIER A	3-B4	CU847800	86 FRONT COVER N	1-D3
CU740800	CARRIER B	3-B4	CU848200	86 REAR COVER	1-C1
CU740900	GEAR ARM	3-C4	CU848300	86 REAR FRAME	1-A2
CU741000	584 LD FPC	3-A4	CU848600	86 BARRIER R	1-D3
CU741200	R WORM	3-B1	CU848700	86 BARRIER RN	1-D3
CU741300	W WORM	3-B2	♦ CV515700	FRONT COVER CGK	1-D3
CU741500	584 W FPC	3-B3,C1	♦ CV676600	FRONT COVER CGI2	1-D3
CU741700	R FORK	3-B1	♦ CV676700	REAR COVER CGI2	1-C1
CU742000	CAMERA BODY2	2-C2	LC455100	1-T/T LENS	2-C2
CU742200	584M FPC 2	2-B3	LC455200	1-P	2-A2
CU742300	584 ST1 PCB	2-A2	LC455300	2-P	2-A1
CU742500	584 ST2 PCB	2-C1	LC455400	2-T	2--A2
CU742600	ST BASE	2-C1	DC881900	CAPACITOR	2-C2
CU742900	LD SCREW	3-B3 CCW	DS240800	PHOTO DIODE	DS101 / 2-D2
CU743400	REAR COVER2	1-C1	DS310100	PHOTO INTERRUPTER	U105 / 2-B3
CU743600	REAR FRAME	1-A2	DS385100	TRANSISTOR (IGBT)	Q501 / 2-A1
CU743700	BATTERY COVER	1-A1	RBJ-0	LEAD WIRE (BLACK)	10m
CU743800	FRONT COVER N	1-D3	RBJ-2	LEAD WIRE (RED)	10m
CU744400	REAR FRAME H2	1-C1	RHJ-0	LEAD WIRE (BLACK)	10m
CU744801	LENS BARREL UNIT	3-C3	RHJ-2	LEAD WIRE (RED)	10m
CU745200	CAMERA BODY P2	2-C2	RJJ-0	LEAD WIRE (BLACK)	10m
CU745500	585P M FPC	2-B3	RJJ-2	LEAD WIRE (RED)	10m
CU745700	D HOLDER P	3-B2	RKJ-0	LEAD WIRE (BLACK)	10m
CU745900	585 LF FPC 2	2-C2	RKJ-4	LEAD WIRE (YELLOW)	10m
CU746100	FRONT COVER J	1-D3	RKJ-5	LEAD WIRE (GREEN)	10m
CU746200	P LEVER P	3-C3	RKJ-6	LEAD WIRE (BLUE)	10m
CU746400	585 B PCB	1-D1	RKJ-P	LEAD WIRE (PINK)	10m
CU746500	D REAR COVER 2	1-C1	RKJ-2	LEAD WIRE (RED)	10m
CU746900	D HOLDER	3-C2			
CU747100	CAMERA BODY D2	2-C2			
CU747500	585 M FPC 2	2-B3			
CU747700	P REAR FRAME H2	1-A2			
CU748100	BATTERY COVER CG	1-A1			
CU748200	FRONT COVER CGJ	1-D3			

- : PARTS STILL AVAILABLE, = : PARTS NO LONGER AVAILABLE,

* : COCOM PARTS, ♦ : NEW PARTS

(2003.02)

μ [mju:]2 Limited / DELUXE
INFINITY Stylus Epic / Limited

PARTS LIST Rev.18

LEE-584, 586, 587

PARTS NO.	NAME OF PARTS	NOTE	PARTS NO.	NAME OF PARTS	NOTE
WE115099	PUK 1.4x 3 SN				
WE126170	PUTB1.4x2.2SN				
WE126003	PUTB1.4x 3 SN				
WE126096	PUTB1.4x 5 SN				
WE126005	PUTB1.6x 2 SB				
WE126207	PUTB1.6x2.2SN				
WE126065	PUTB1.6x2.5SN				
WE126191	PUTB1.6x 3 SN				
WE126060	PUTB1.6x 3 SB				
WE126102	PUTB1.6x3.5SN				
WE126105	PUTB1.6x 4 SB				
WE126134	PUTB1.6x4.5SB				
WE126152	PUTB1.6x 5 SB				
WE126153	PUTB1.6x 6 SB				
WE126342	PUTB1.6x 9 SB				
WE126211	PUTB1.6x10SB				
WE126197	PUTB1.6-635SN				
WE201024	B2 UO				
WE601112	NP 1x8 UO				

- : PARTS STILL AVAILABLE, = : PARTS NO LONGER AVAILABLE,
 * : COCOM PARTS, ♦ : NEW PARTS